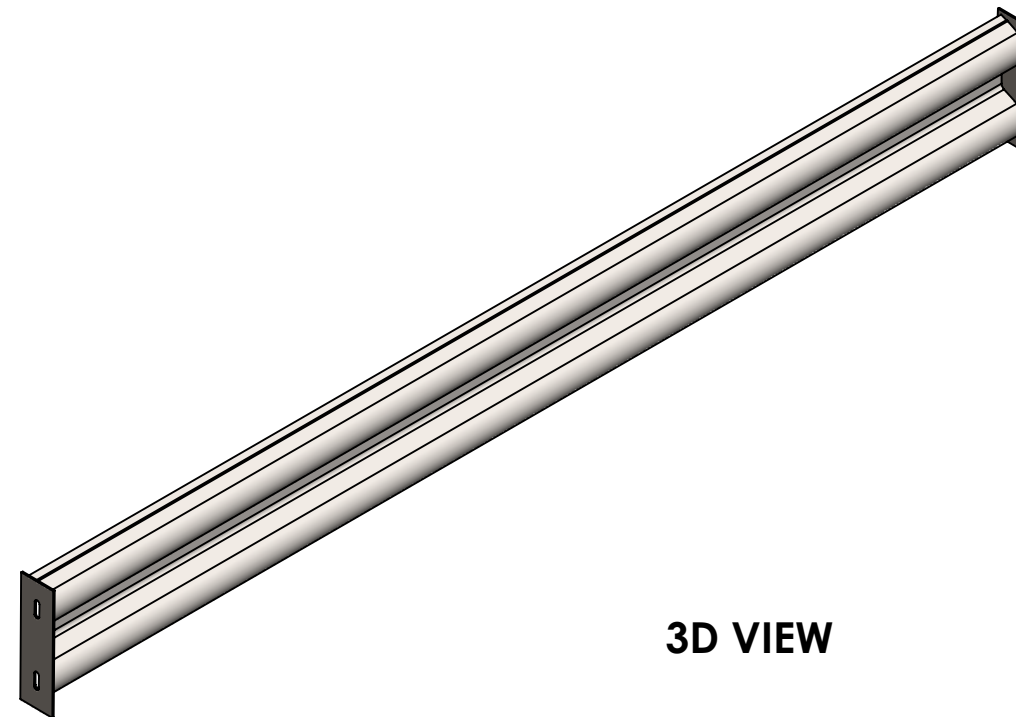


SECTION VIEW-A



3D VIEW

RAIL OPTIONS

DESCRIPTION	PART NO	POST CENTER TO CENTER (IN)	RAIL LENGTH (IN)	WEIGHT EA (lbs)
2ft Rail	A0010	24	19.28	16.57
3ft Rail	A0009	36	31.28	24.07
4ft Rail	A0008	48	43.28	31.57
5ft Rail	A0007	60	55.28	39.1
6ft Rail	A0006	72	67.28	46.58
7ft Rail	A0005	84	79.28	54.1
8ft Rail	A0004	96	91.28	61.58
9ft Rail	A0003	108	103.28	69.1
10ft Rail	A0001	120	115.28	76.59

COMPANY:

Guardrail Online LLC
1309 COFFEEN AVE STE 1200, SHERIDAN, WY 82801

PRODUCT:

Typical Rail

NOTES:

1. Rails are available in 1-foot increments, ranging from 2 feet to 10 feet in length
2. Post center-to-center spacing equals the selected rail length plus 4 inches

SURFACE TREATMENT:

COATING TYPE Galvanized + Powder coated

FINISH COLOR RAL 1023

DOCUMENT CONTROL

REV.	DATE	DESCRIPTION
0	20260224	Initial Release
1	20260404	Updated as per engineering comments
2	20260425	Updated as per engineering comments

DRAWN BY:	TA	PAPER SIZE	B
APPROVED:	JF	SHEET NO.	1/1
DATE	20260425	SCALE	N.T.S.

DRAWING TYPE Customer Reference Assembly

DRAWING NUMBER CRA001